

# GV7011-MOD

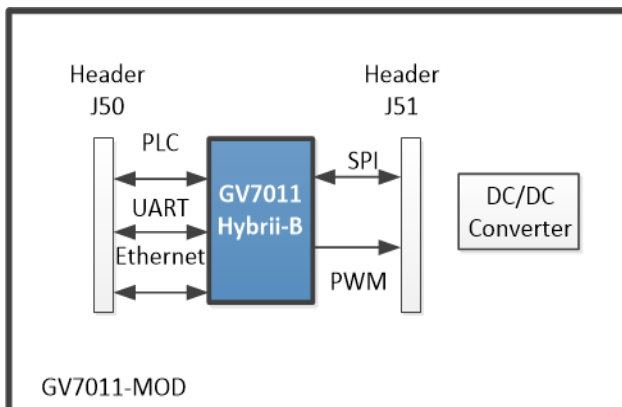
Greenvity's GV7011-MOD is a module featuring the GV7011 Wideband Powerline and 2.4GHz IEEE802.15.4 Wireless SoC meant for use with the Universal IoT Hub (GV-Controller-S).

## PRODUCT DESCRIPTION

The GV7011-MOD is a wideband powerline and 2.4GHz IEEE802.15.4 wireless communications module powered by Greenvity's GV7011 Hybrii-XL SoC. The GV7011-MOD delivers half-duplex, asynchronous data communication over (50/60 Hz) AC and DC power lines at PHY data rates up to 9.8 Mbps and 2.4GHz, 255kbps wireless communications over the air while featuring SPI, UART and Ethernet. The GV7011-MOD is part of Greenvity's family of products meant to operate with the GV-Controller-S.



## GV7011-MOD BLOCK DIAGRAM



4.4 x 3.8 cm<sup>2</sup>

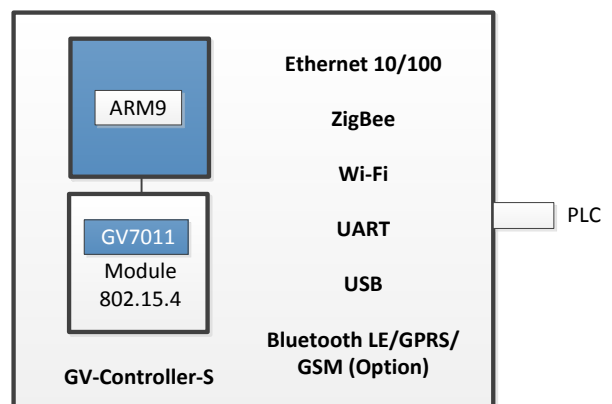
**GV7011-MOD Block Diagram**

## GV7011-MOD FEATURES

1. On-board GV7011 Powerline and 802.15.4 Wireless SoC
2. Wireless 802.15.4 255kbps bandwidth
3. Functions on up to 277 VAC and on DC lines
4. Wideband powerline frequencies from 2 to 30 MHz
5. Utilizes a single low cost 24 MHz crystal
6. Supports multiple host interfaces including Ethernet, SPI, UART, and features GPIO pins
7. Includes LED PWM and 0 to 10V outputs which eliminates the need for external LED drivers
8. Powered by a +12VDC and +5VDC.
9. Industrial temperature range from -40 to +85°C

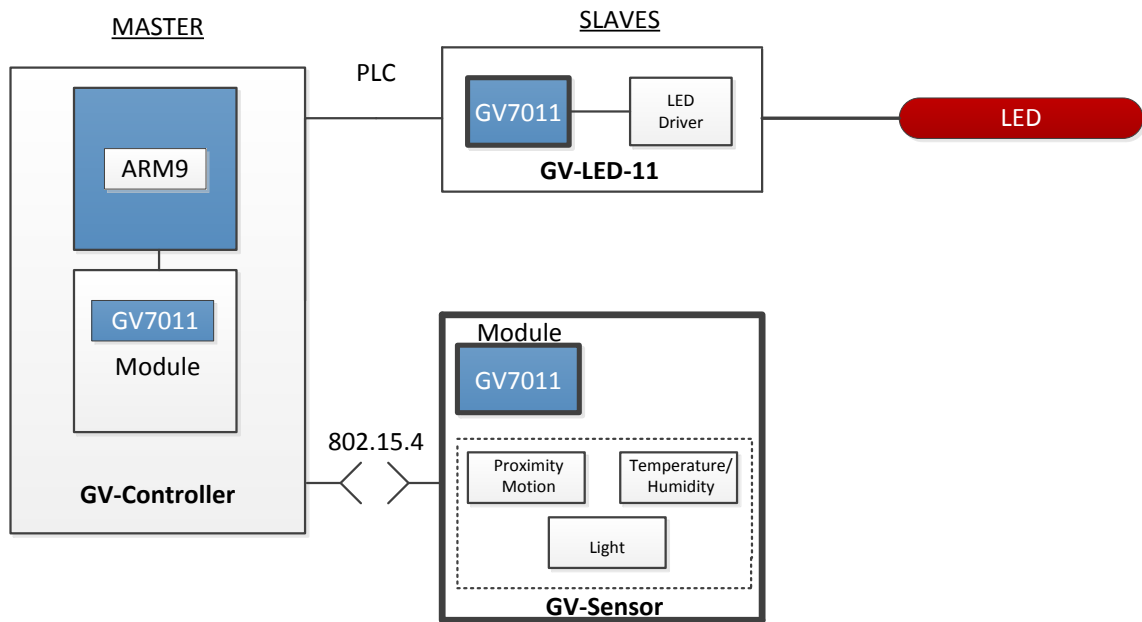
## GV-Controller-S with GV7011-MOD

The GV7011-MOD is designed to operate with the GV-Controller-S through header pins and physically docks to the top side of the GV-Controller-S. When the GV7011-MOD is paired with the GV-Controller-S, it can be used as a Master within a LED system. In order to complete a LED system, Greenvity offers the GV-LED-11 and the GV-Sensor to form a Smart LED system.



**GV-Controller-S with GV7011-MOD Block Diagram**

### Smart LED System featuring the GV-Controller-S, GV-LED-11 and GV-Sensor



**ORDERING CODE**

**TARGET APPLICATIONS**

- Smart LED Lighting Control
- Controlled LED lighting, signage and display
- Home/Building Energy Management System

Ordering Code	Description
<b>GV7011-MOD</b>	<b>Powerline + 802.15.4 wireless module</b>
GV-Controller Universal IoT Hub	Home Gateway and LED Lighting Controller
GV-Sensor	All-in-One Sensor module
GV7011	Hybrii-XL SoC



**Smart LED Lighting Control with Sensor Network**

**For more information, please contact Greenvity**

**Greenvity Communications**

Phone: +1 408 935 9434

Email: [sales@greenvity.com](mailto:sales@greenvity.com)

[www.greenvity.com](http://www.greenvity.com)

673S. Milpitas Blvd., Suite 204, Milpitas, CA 95035

The information in this document is subject to change without notice. Greenvity Communications assumes no responsibility for any inaccuracies that maybe contained in this document, and makes no commitment to update or to keep current contained information. Greenvity Communications reserves the right to make changes, at any time, in order to improve reliability, function or design and to attempt to supply the best products to the market. Greenvity, Hybrii, GreenLite, GLED, and GV-HDP1 are either registered trademarks or trademarks of Greenvity Communications. HomePlug and HomePlug Green PHY are trademarks of HomePlug Alliance. All other trademarks or registered trademarks are the property of their respective owners.